

# 2KPPM

Parking lots, short lines and curves



*Hand-guided self-propelled road marking machine developed for processing 2-component cold plastics either in form of structural or flat marking. Absence of automatic glass beads system makes 2KPPM the best choice for parking lots marking. This machine lets you stripe in 3,5 cm distance from curb.*

Road marking technology | Machines | Materials | Service | Consulting & Support



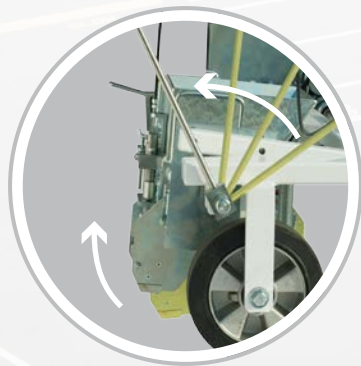
HARDMAN UH a.s. • Dlouhá 688 • 686 01 Uherské Hradiště • Czech Republic  
☎ +420 773 566 485 • 📠 +420 777 020 485 • [hardmanuh@hardmanuh.cz](mailto:hardmanuh@hardmanuh.cz) • [www.hardmanuh.cz](http://www.hardmanuh.cz)

Machine for small marking projects and perfect complement for big project road marking machines with 2-component cold plastics marking units.

In contrast to 2K50A this machine is not suitable for marking pedestrian crossings.

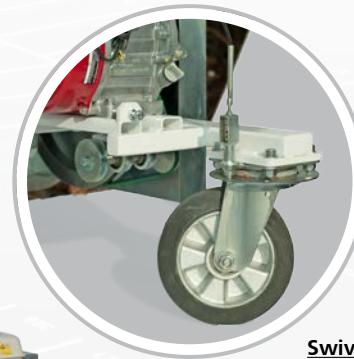
# 2KPPM

Parking lots, short lines and curves



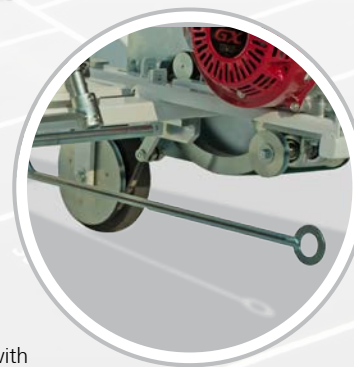
### Transport mode

Make your transfers easier by simply pulling a level! This mode helps you when transferring machine on uneven surfaces.



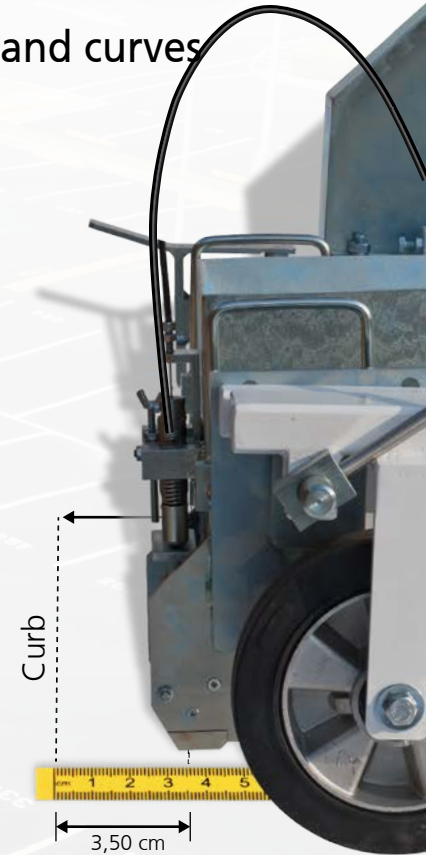
### Swivel front wheel with lock:

Every time needed lock your front wheel right on your handle bar.



### Movable pointer:

Increase your line flatness with sliding pointer.



### 3,5 cm CURB DISTANCE:

When marking in direction from curb.

Road marking technology | Machines | Materials | Service | Consulting & Support

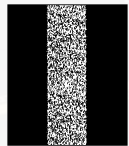


HARDMAN UH a.s. ▪ Dlouhá 688 ▪ 686 01 Uherské Hradiště ▪ Czech Republic  
☎ +420 773 566 485 ▪ 📠 +420 777 020 485 ▪ [hardmanuh@hardmanuh.cz](mailto:hardmanuh@hardmanuh.cz) ▪ [www.hardmanuh.cz](http://www.hardmanuh.cz)


# 2KPPM

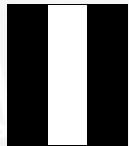
Parking lots, short lines and curves

## 3 types of marking




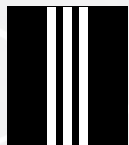
Screed boxes for **STRUCTURAL MARKINGS**

 Line width: **100 mm up to 300 mm**



Screed boxes for **FLAT MARKINGS**

 Line width: **100 mm up to 300 mm**



Screed boxes for **MARKING FOR BLINDS**

 Line width: **3 x 30 mm, 6x 26 mm**

## Technical data

**Engine:** Honda 1-cylinder, 2,6 kW

**Construction:** galvanized

**Dimensions:** 1.000 x 950 x 1.000 (l x w x h mm)

**Retroreflection system:** manual

**Weight:** 95 kg

**Material:** 2-component cold plastics

**Material consumption:** 2.000 - 5.000 g/m<sup>2</sup> depending on marking type

**Line width:** 100 - 300 mm depending on marking type

**Front swivel wheel with lock:** yes

**Transport mode:** yes

**Parking mode:** yes

**Minimum curb distance:** 3,5 cm

**Pointer:** yes, movable

Road marking technology | Machines | Materials | Service | Consulting & Support