



Airless Striping Applications

Advanced Paint Striping Solutions



www.graco.be



AIRLESS STRIPING APPLICATIONS EVOLUTION

For over 13 years, Graco has been excelling in the manufacturing and engineering of advanced airless striping solutions. Each new generation introduces new technologies and new features. We commit to continuously improve and exceed our professional striping contractors demands.

DELIVERED
→



1995 LineLazer™

- Airless line quality
- Easy operation
- Productivity (up to 3 times faster than air spray systems)

1998 LineLazer™ II

- GMax™ pumping technologies
- Balanced cart system
- Fast Track™ front caster design

2002 LineLazer™ III LineDriver™

- SmartControl™ with digital tracking system
- QuickSelect™ gun selector
- Easy Out™ Filter system

AIRLESS STRIPING

UNIFORM

SHARP

FAST

COST EFFECTIVE

SAFE

STRIPING PAINTS

Some lines have to last for as many as 1,000,000 passages over them. New stringent laws and concerns for the environment guarantee that paint will continue to evolve in the future. Every 3 years, Graco introduces a new range of linestripers to be ahead of the evolution.

PRODUCTIVITY

Professional striping contractors strive for continuous improvement in the line quality and definition. They need to complete a job quickly and efficiently. They require maximum versatility of their system and easy adjustments. At the same time, a system must be fast to set-up and fast to clean.

LINES

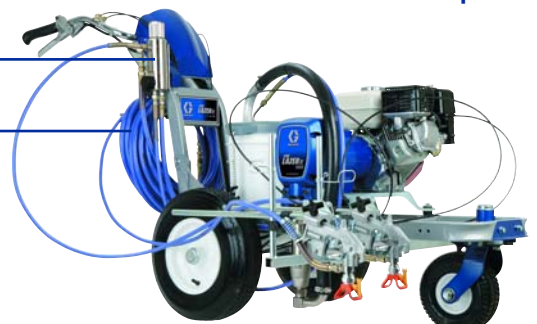
Lines need to be even and remain consistent throughout the job. They must be absolutely straight with sharp, crisp edges. The paint must be evenly sprayed and the thickness maintained.

KEEPING AHEAD
LineLasers are 100% compatible with water-borne paints.

Pump built with stainless steel and chromed parts

Specially treated filter block

Specially treated hose fittings



**NO RUST
NO CHEMICAL REACTION**

LINELAZER™ 3400



Totally new, the Linelazer 3400 is the ideal professional striper for smaller jobs. Although capable of striping only one line at a time, its size, lightweight and new features make the Linelazer 3400 ideal for maintenance work, parking lots, etc ...



Parking brake



Swivelling front wheel

LINELAZER™ 3400



EASY HANDLING

Only 65 kg

Pushing and pulling the new Linelazer 3400 is almost effortless.

Comfortable handle bar

Improves the general handling of the machine as well as the line quality. The bottom hook feature allows for one finger pull back.

Tall wheels

Greatly enhance the ease of rolling while adding stability.

PERFORMANCE

230 bar (max)

Enough power to evenly atomise today's thicker coatings.

Heavy duty gear system & non-maintenance clutch

Trouble-free operation and low maintenance cost.

Endurance™ Pump technology

"on the job" service is easy. The new chromex rod extends the life of the pump while ensuring full compatibility with waterborne, solvent based and even chlorinated paints.



ELECTRONIC PRESSURE CONTROL

Easy operation

Mounted directly in front of the operator for "on the fly" adjustments and emergency shut-off.

Extremely fast response time

The electronic pressure control guarantees a system that maintains even pressure. Essential for line striping.

Gradual pumping speed

Eliminates pressure fluctuations and deadbands.



LINELAZER™ IV

NEW EXCLUSIVE TECHNOLOGIES

The simple field demand, is a better line quality!
 Graco systems are built with this objective in mind: "To design advanced striping solutions for unmatched line quality".
 Of course, Graco also adds plenty of new features and accessories to fully complete the LineLazer™ family for the professional striping contractor.

LINELAZER™ IV 3900 - 5900 - 200HS

ADVANCED VIBRATION REDUCTION SYSTEM (A.V.R.S.)



Without A.V.R.S.

Observation

Uneven road surfaces and a running engine produce vibrations. These get transferred to the striping gun(s) and thus prevent the guns from maintaining a perfect fixed angle over the surface.

New concept

Graco invents the AVRS system which reduces vibrations up to 60%. Less vibrations simply results in better quality lines.



With A.V.R.S.

A.V.R.S.

Reduced vibrations are achieved with an exclusive pump sprayer mounting system and a new single gun bar holder.

REAR GUN MOUNTING OPTION

Photo below is the result obtained while striping 2 lines simultaneously: one gun mounted on the front and the second on the back. Same machine, same speed, same paint.

Straighter lines

Lining up the gun(s) with the two back wheels and axles results in straighter lines.

Front & rear mount

Mounting the gun on the front of the machine is a requirement to stripe up to the curb on a parking lot. However, for long line pavement applications, mounting the gun on the back improves straightness and consistency of the lines.

Easy

The rear gun mounting option eliminates the need to reverse the mount of the engine and the handle.



Rear mount



Front mount



NEW DASHBOARD

Back lit display

Allows visibility of all important information at night or any other low light conditions.

Easy height adjustment

Simply slide the dashboard (and not the whole handle bar) up and down in 3 different height options.

Accessory plug-in

Together with the light switch a "headphone" style connector is added on the dashboard.



LINELAZER™ IV 3900 & 5900



Both the Linelazer 3900 and 5900 have been redesigned with all the new technologies of Linelazer IV to deliver precise and consistent lines. Ideal for parking lots and for street marking. These are versatile linestripers. Their performance meets the requirements of municipalities and small cities.



Easy hose wrap



Flow through filter:
cleaner and simpler

LINELAZER™ IV 3900 & 5900



PERFORMANCE

New GMAX™ II pumping systems

9% more flow for the Linelazer IV 3900 and 7% more flow for the Linelazer IV 5900.

Increased flow

Faster striping and higher productivity.

Larger Endurance™ pump

Provides easy service.
Upgraded with Chromex™ piston rod.

EASE OF USE

Versatile

Line stripers are not used solely for line marking. Being airless machines, they also do stenciling and general painting.

Gun (dis)mounting

No tools gun removal for quick and easy handling.

Precision through the concept

The new gun mount and gun adjuster are made out of one piece of extruded aluminium.
The special design automatically aligns the gun position perfectly and consistently.



COMFORTABLE HANDLING

New handle bar design

Natural and comfortable extension of your arms. Eliminates some of the natural sideway motions created while walking.

Less lateral movement

Straighter and more consistent lines.

Centralised controls

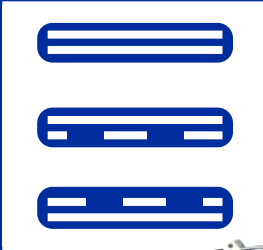
The dashboard, with all controls, are right in front of the operator for fast and precise control.





LINELAZER™ IV 200HS

This is the “workhorse” of the LineLazer family. It has the most flow and is powered by a very heavy duty hydraulic system. The choice for intensive line striping. Used by large cities and airports, this machine will do everything from parking lots to street marking with unmatched production rate and trouble-free operation.



QuickSelect™ gun selector



Front swivel wheel with Fast Track™ system



LINELAZER™ IV 200HS



MOUNTING TECHNOLOGIES

Gun shut-off feature

The one piece, forged aluminium gun mount has now a spring for faster and positive gun shut-off. No need to keep a finger on top of lever to shut the gun(s) off.



HIGH CAPACITY SYSTEM

Hydraulic system

Heat is naturally generated by a hydraulic system. Keeping a hydraulic system cool is the key for long life and trouble free operation.

Graco design

The hydraulic reservoir capacity has been increased by 20% and the fan design provides 70% more flow to keep the system cool.

A.V.R.S.

The LineLazer IV unique mount system eliminates up to 60% of the vibrations. Allows for straighter, sharper and more precise lines.

Perfect belt alignment

Better power transfer efficiency while extending the belts life. No need to adjust the belt tension.

PERFORMANCE

High flow

Largest pump in the LineLazer IV family.

Chromex™ piston rod

Up to 4 times harder than chrome. This coating technology extends the life of your wear parts while being 100% compatible with waterborne and solvent based paints.

ABS belt cover

Easy to clean, won't rust, won't crack or bend.



LINELAZER™ IV 200HS

LINEDRIVER™ - LINEDRIVER™ HD



Accessory to an airless striping machine. Transforms your striper into a ride-on push and pull, hydrostatic driver. It doubles your production rate and improves line quality while reducing operator's fatigue.



Standard high capacity, fully adjustable light kit.



Padded seat with 12 positions for exterior use. Under seat storage.

LINEDRIVER™ - LINEDRIVER™ HD



IMPROVED LINE QUALITY

Precise hydrostatic drive

Once the average, micron build is achieved, the LineDriver makes it easy to maintain the correct speed to reproduce exactly the same thickness throughout the job.

1 hydraulic drive per wheel

Having the same force on each wheel guarantees a straighter line. This eliminates the natural side-to-side motion a person produces while walking.



HYDROSTATIC ADVANTAGES

Easy to use

Only change the oil to maintain the system. No belts, chains or gears to adjust or change.

Independent Honda engine

The LineDriver does not tax power from the striper engine. For tight striping jobs, just disassemble and use the striper on its own. The weight of the hydraulic and engine power is on the LineDriver, not on the striper.

LineDriver drives

On reverse, the LineDriver pulls back. On forward it pushes. Very simple and intuitive.

IMPROVED PRODUCTIVITY

Finish your jobs in half the time

Striping can be done faster compared to manually pushing. Save more time on all distances travelled while not striping.

High operator comfort

There is a physical limit as to how long a person can push a machine each day. Differences in street levels make manual work more difficult. The LineDriver overcomes these considerations.

Carry more paint

The power of the LineDriver enables carrying extra paint on board. Less time is lost for refills.





AIRLESS STRIPING APPLICATIONS

ROADLAZER™



Graco's striping expertise extends further than just parking lots and streets. For many years, Graco has been able to satisfy many large contractors with its range of RoadLazer products.

CONFIGURATION

Available as a 1, 2 or 3 pumps machine. Now also available on a palette version for mounting on the bed of a truck.

APPLICATIONS

As the RoadLazer 3 pump version is the only striper capable of striping the "yellow-black-yellow" lines in one pass only, it is particularly well-suited for airports.

COMPACT

All the abilities of a striping truck built in a "tow-behind" configuration. Takes limited storage space. No need for a dedicated striping truck.

*Check your local laws for traffic regulations

Find more product information in the Graco RoadLazer brochure, part number 300430.

FIELDLAZER™



QUALITY LINES

With the FieldLazer, Graco introduces airless spraying advantages to fields. Unlike transfer pumps, that disperse, the airless principle atomises paint. This results in uniform, bright lines in only one pass.

LIGHTWEIGHT

With only 36 kg, the FieldLazer is one of the lightest equipments available today for sports fields. This greatly reduces operator's fatigue and enhances manoeuvrability for corners and center field circle.

VERSATILE

With its airless pump, painting of logos and letters on the field is extremely simplified. With the extra large filter mounted on-board, together with the self-cleaning tip, tip clogs and their hassles are a problem of the past.

HYDRAULIC MOTOR/ PUMP ASSEMBLIES



OEM SUPPLIES

Being one of the world leading manufacturers of paint pumps, Graco also offers a wide range of parts and accessories to fulfil almost any integration requirements.

GH ROOF RIGS

Graco further completes these proposals with its GH "roof rigs" sprayer, that can be used for striping applications as well.

ACCESSORIES

From various filter elements, agitators, fittings to all kinds of automatic paint and bead guns, etc, Graco has a product solution for your needs.



AIRLESS STRIPING APPLICATIONS



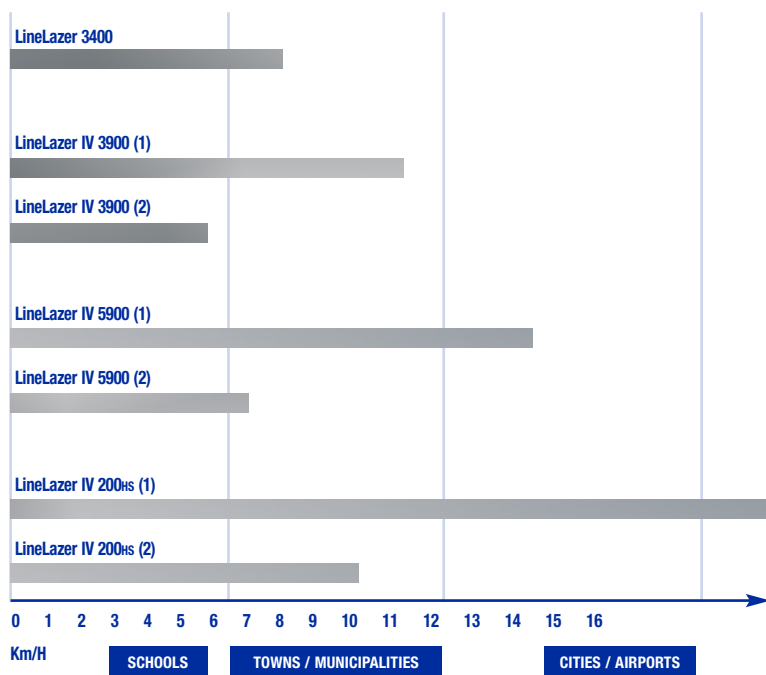
TECHNICAL SPECIFICATIONS



	LineLazer 3400	LineLazer IV 3900	LineLazer IV 5900	LineLazer IV 200hs	LineDriver/LineDriver HD
Part number					262004 262005 (HD)
1 gun	249007	249008	249010	249012	
2 guns	x	249009	249011	249013	
Max. tip sizes					
1 gun	0.027"	0.035"	0.043"	0.045"	x
2 guns	x	0.025"	0.029"	0.033"	x
Max. fluid flow	2.8 l/min	4.7 l/min	6.0 l/min	7.5 l/min	x
Output difference		66% -> more than LineLazer 3400	28% -> more than LineLazer IV 3900	25% -> more than LineLazer IV 5900	x
Max. pressure	230 bar	230 bar	230 bar	230 bar	x
Honda engines	120 cc (3 kW)	120 cc (3 kW)	160 cc (4 kW)	160 cc (4 kW)	160 cc (4,1 kW) 200 cc (4,83 kW)
Fuel tank capacity	2.5 liter	2.5 liter	3.6 liter	3.6 liter	3.6 liter
Weight	65 kg	96 kg	105 kg	125 kg	120-125 kg
Dimensions in cm (w x h x l)	81 x 162 x 155	81 x 102 x 165	81 x 102 x 165	81 x 102 x 165	66 x 104 x 147

OPERATING SPEED

Given average thickness of 300 microns over 10 cm lines



SmartControl™



227^{bar}

PRESSURE

K Ph 4.1

SPEED

367^{MIC}

JOB TOTAL FILM BUILD

9854^m

JOB DISTANCE METER

32^{LTRx10}

JOB MATERIAL COUNTER

10^{CM}

LINE WIDTH SELECTOR



AIRLESS STRIPING

248157 FlexPlus™ striping gun. Mounted with HandTite™ guard and LL5319 striping tip



243161 HandTite™ guard 7/8"



245225 Striping hose with E-nickel fittings. 3/8" x 15 m (230 bar)

245798 Striping hose with E-nickel fittings. 1/4" x 1,8 m (230 bar)

* Only use these hoses with striping to avoid chemical reactions with water-based materials.



287553 2nd gun kit for LineLazer IV (includes LL5319 + 286517)

245465 2nd gun kit for LineLazer III (includes LL5319 + 286517)

241284 2nd gun kit for LineLazer II (includes LL5319 + 286517)

277062 64 cm Line pointer system: Wide blade allows operators to follow stripe or "see-through" for "e" stripe.



277061 High output LED light kit (LL IV only). Includes multiposition mounting hardware and 70 cm cable for mounting flexibility.



248393 60 liter hopper kit with insulated RIM



240717 Pail cover (euro size)

287626 50 cm adjustable width striping ramp. Includes 2 swivel heads, 100% waterborne compatible and 2 tips



249187 Field tires kit for LL 3900/5900 or 200HS. Wide, low pressure turf tires. To upgrade your LineLazer for field striping



249081 Adjustable spray shield kit. Attaches directly onto existing LineLazer to contain spray pattern within set width limits.



244071 EasyOut™ pump filter, 30 mesh, grey
244067 EasyOut Pump filter, 60 mesh, black
244068 EasyOut Pump filter, 100 mesh, blue
244069 EasyOut pump filter, 200 mesh, red



EZ BEAD™ GLASS BEAD APPLICATION SYSTEM

Dispense beads mechanically and by gravity. Dispensing heads can be adjusted with trap-doors for 5 cm, 10 cm and 15 cm. EZ bead hopper is reversible for use on both sides of the striper.

277064 Complete EZ bead system with 2 dispensers

277065 Complete EZ bead system with 1 dispenser

277067 Dispenser kit (contains 1 dispenser + hose)



245516 EZ bead 30 cm bead dispenser kit. Includes trap-doors to apply beads over 10 cm, 20 cm or full 30 cm.



277066 EZ bead wind deflectors (15 cm) 6 per pack

245520 EZ bead wind deflectors (30 cm) 3 per pack



LINEDRIVER™

245343 Battery kit for LineDriver (auxiliary)



245321 Hitch kit for LineDriver



245340 Replacement wheel kit LineDriver

249089 Field tires kit for LineDriver. Wide, low pressure turf tires. To upgrade your LineDriver™ for field striping.



STRIPING TIPS



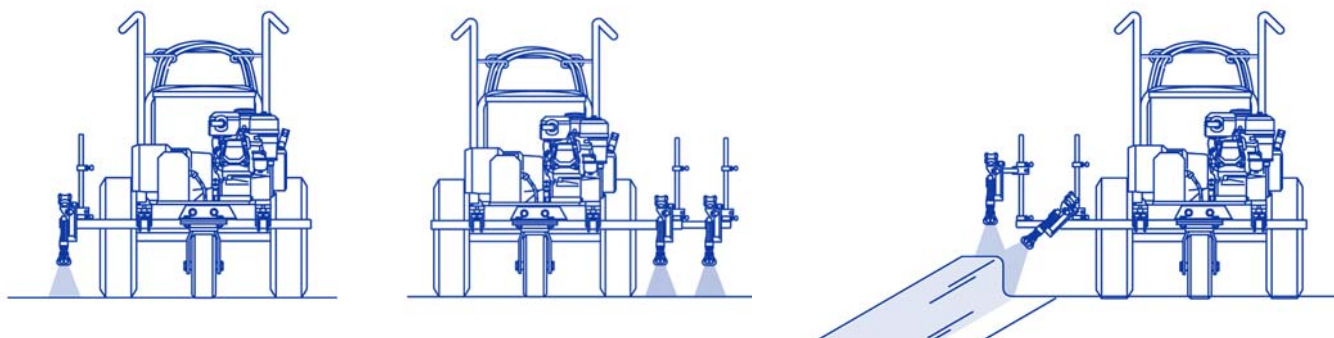
LineLazer™ tips are especially designed to create clean, lazer sharp lines with no fuzzy edges.

17 new tip sizes added to the range to match the higher performances of the LineLazer™ IV family.

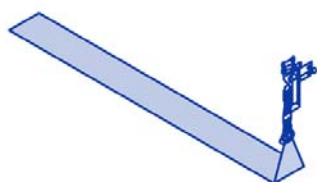
New easy tip clog removal. You no longer need to turn the tip assembly to unplug the tip.

Simpler and faster operation.

POSITIONING



LL5 TIP SELECTION CHART



Line width is measured with the tip positioned 15 cm above the surface. Width can be adjusted by lowering or raising the gun.

To order: LL5-XXX. Replace the XXX with the chosen tip size.

Make sure that the flow rate of the tip is within the performance ability of the striper.

Line width	Orifice sizes												
	0.013"	0.015"	0.017"	0.019"	0.021"	0.023"	0.025"	0.027"	0.029"	0.031"	0.033"	0.035"	0.039"
5 cm	213	215	217	219									
10 cm		315	317	319	321	323	325	327	329	331	333	335	
15 cm			417	419	421	423	425	427	429	431		435	
30 cm					621	623	625	627	629	631		635	639
Flow rate l/min	.69	.91	1.17	1.47	1.79	2.15	2.54	2.96	3.42	4.42	4.98	6.18	7.51



ABOUT GRACO

Founded in 1926, Graco is a world leader in fluid handling systems and components. Graco products move, measure, control, dispense and apply a wide range of fluids and viscous materials used in vehicle lubrication, commercial and industrial settings.

The company's success is based on its unwavering commitment to technical excellence, world-class manufacturing and unparalleled customer service. Working closely with qualified distributors, Graco offers systems, products and technology that set the quality standard in a wide range of fluid handling solutions. Graco provides equipment for spray finishing, protective coating, paint circulation, lubrication, and dispensing sealants and adhesives, along with power application equipment for the contractor industry. Graco's ongoing investment in fluid management and control will continue to provide innovative solutions to a diverse global market.

GRACO LOCATIONS

CONTACT

MAILING ADDRESS

P.O. Box 1441
Minneapolis, MN 55440-1441
Tel: 612.623.6000
Fax: 612.623.6777

AMERICAS

MINNESOTA

Worldwide Headquarters
Graco Inc.
88-11th Avenue N.E.
Minneapolis, MN 55413

EUROPE

BELGIUM

European Headquarters
Graco N.V.
Industrieterrein-Oude Bunders
Slakweidestraat 31
3630 Maasmechelen,
Belgium
Tel: 32.89.770.700
Fax: 32.89.770.777

ASIA PACIFIC

JAPAN

Graco K.K.
1-27-12 Hayabuchi
Tsuzuki-ku
Yokohama City, Japan 2240025
Tel: 81.45.593.7300
Fax: 81.45.593.7301

ASIA PACIFIC

CHINA

Graco Hong Kong Ltd.
Representative Office
Room 118 1st Floor
No.2 Xin Yuan Building
No.509 Cao Bao Road
Shanghai, P.R. China 200233
Tel: 86.21.649.50088
Fax: 86.21.649.50077

ASIA PACIFIC

KOREA

Graco Korea Inc.
Choheung Bank Building
4th Floor #1599
Gwanyang-Dong, Dongan-Ku,
Anyang-Si, Gyunggi-Do,
Korea 431-060
Tel: 82(Korea).31.476.9400
Fax: 82(Korea).31.476.9801

All written and visual data contained in this document are based on the latest product information available at the time of publication. Graco reserves the right to make changes at any time without notice.

Graco is certified ISO 9001.

Europe
+32 89 770 700
FAX +32 89 770 777
WWW.GRACO.BE