




CE  II 2G c T6

Low pressure paint spray gun with atomizing air Mod 84

Paint circuit totally in stainless steel compatible with all traffic paint.

Connections:

- drive air inlet 1/4"
- atomizing air inlet 3/8"
- material inlet 3/8"
- Ø passage of paint 11 mm

Material nozzle in stainless steel: Ø 2 to 6,2 mm

Special air nozzle in stainless steel: Ø 4,5 to 7,8 mm

External nozzles: a wide choice available in stainless steel, or in tungsten carbide to meet all your needs in performance and width of lines.

The tungsten carbide nozzles have a lifetime much bigger than those in steel (approximately 3 times). The choice of external nozzle will depend on the material nozzle diameter (see the list of nozzles on our website).

One inlet is provided for flushing the head, especially for waterborne traffic paint. The inlet's plug will be replaced by a connexion (on request).

It is possible to mount a system with tungsten carbide to limit the width of the line. (Option)

Dimension: 185 x 80 mm

Weight: 1,5 kg

Advice:

- for the paint using preferably a pipe with a minimum internal diameter of 16 mm
- for air using preferably a pipe with an internal diameter of 10 mm
- for a good performance use an atomizing air pressure below the pressure in the paint tank
- using a drive air pressure of 6 bars (87 psi)

Kamber SA
Chemin des Champs Courbes 19
CH - 1024 Ecublens

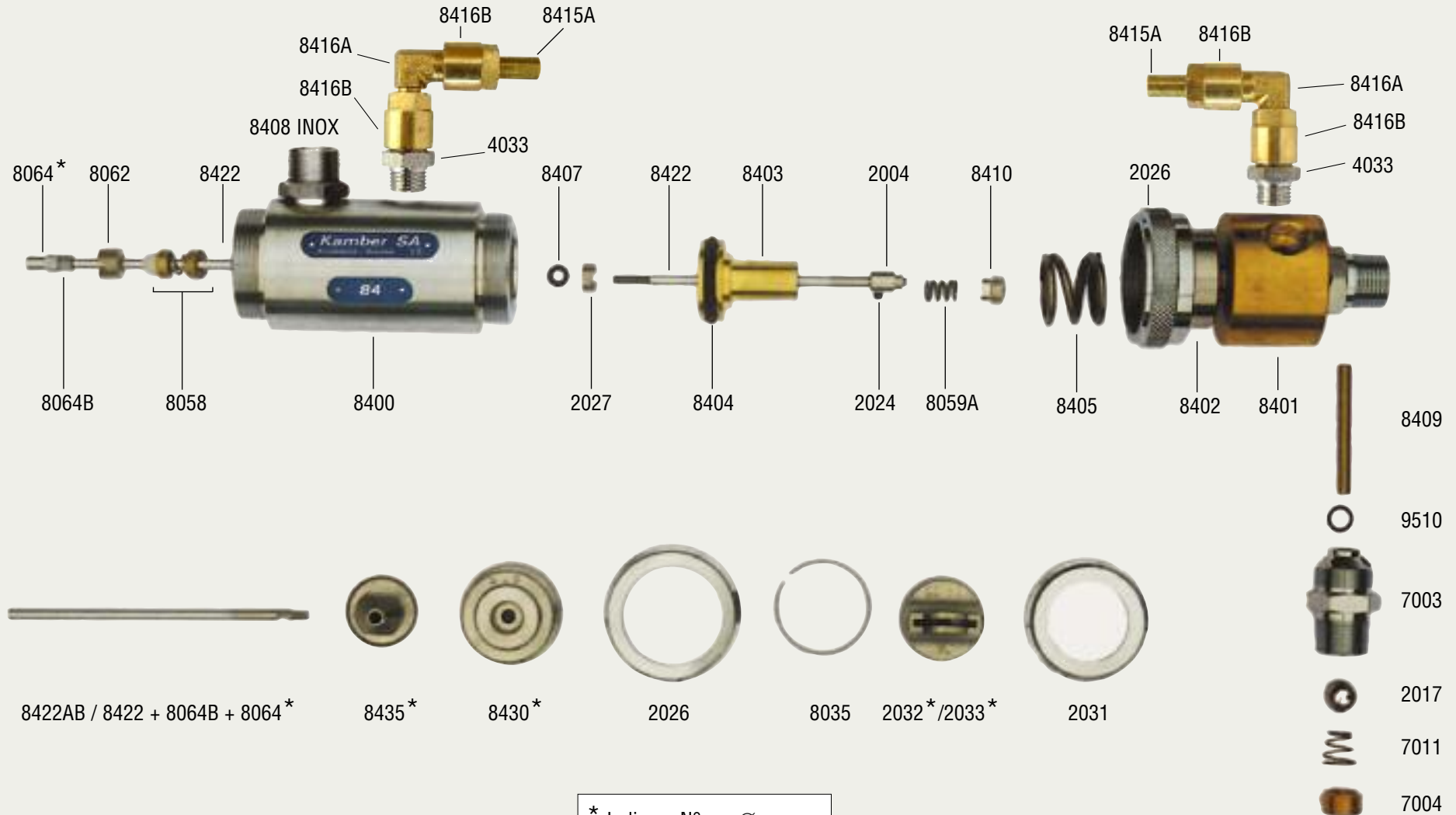
Tél. +41 (0)21 691 69 51
Fax +41 (0)21 691 69 54

e-mail: info@kambersa.ch

84

PISTOLET PNEUMATIQUE PEINTURE POUR LA SIGNALISATION ROUTIERE
 FARBSPRITZPISTOLE FÜR DIE STRASSENMARKIERUNG
 PNEUMATIC PAINT SPRAY GUN FOR ROAD MARKING
 PISTOLA PNEUMATICA PER VERNICI PER LA SEGNALETICA STRADALE
 PISTOLA NEUMATICA PARA PINTURA PARA LA SENALIZACION VIAL

Kamber S.A.

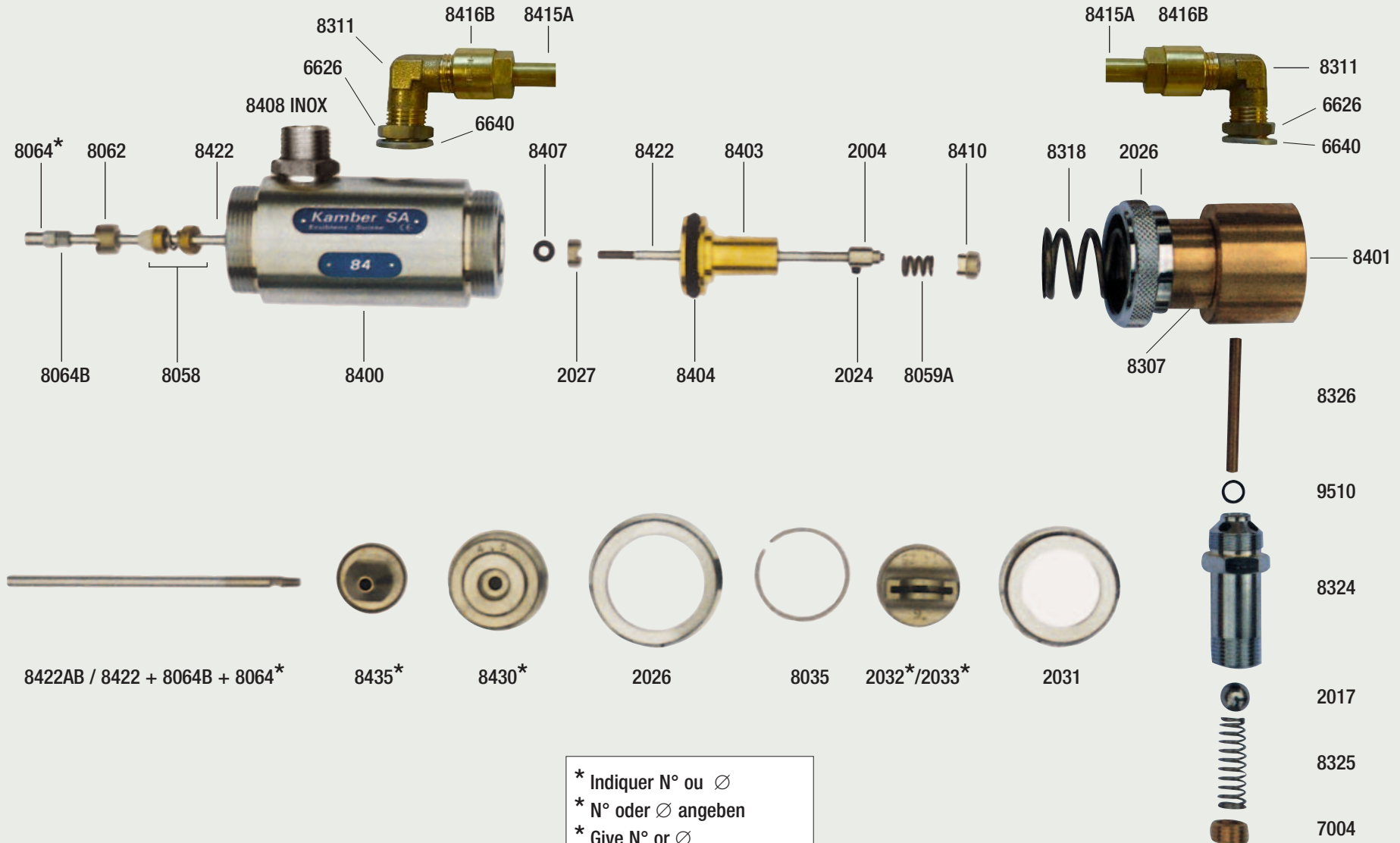


* Indiquer N° ou Ø
 * N° oder Ø angeben
 * Give N° or Ø
 * Indicare N° oppure Ø
 * Indicar N° o Ø

84

PISTOLET PNEUMATIQUE PEINTURE POUR LA SIGNALISATION ROUTIERE
 FARBSPRITZPISTOLE FÜR DIE STRASSENMARKIERUNG
 PNEUMATIC PAINT SPRAY GUN FOR ROAD MARKING
 PISTOLA PNEUMATICA PER VERNICI PER LA SEGNALETICA STRADALE
 PISTOLA NEUMATICA PARA PINTURA PARA LA SENALIZACION VIAL

Kamber S.A.



* Indiquer N° ou Ø
 * N° oder Ø angeben
 * Give N° or Ø
 * Indicare N° oppure Ø
 * Indicar N° o Ø

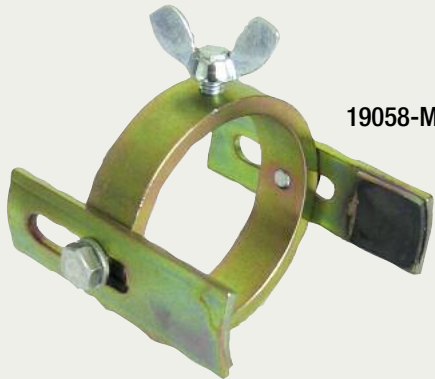
84 | **38**
80 | **90**

ACCESSOIRES POUR PISTOLETS PNEUMATIQUES PEINTURE
 ZUBEHÖR FÜR PNEUMATISCHE FARBSPRITZPISTOLEN
 ACCESSORIES FOR PNEUMATIC PAINT SPRAY GUNS
 ACCESSORI PER PISTOLE PNEUMATICE DA VERNICI
 ACCESORIOS PARA PISTOLAS NEUMATICAS PINTURA

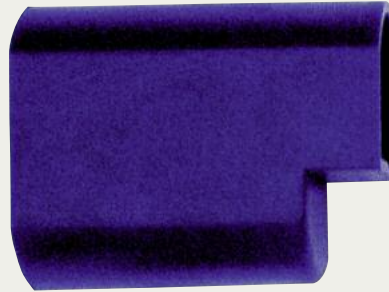
Kamber S.A.



2058 - MD

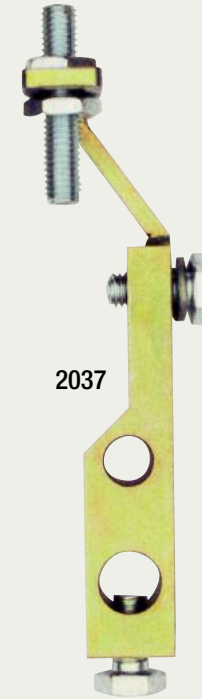


19058-MD



2034

| | MOD 84 | MOD 38 | MOD 80 | MOD 90 |
|----------|--------|--------|--------|--------|
| 2028 | ● | ● | ● | ● |
| 2057 | ● | ● | ● | ● |
| 2023 | ● | ● | ● | |
| 2034 | | ● | | |
| OPTIONS | | | | |
| 2037 | | ● | | |
| 7020 | | | ● | ● |
| 2058-MD | ● | ● | ● | |
| 19058-MD | | | | ● |



2037



2028



2057



2023



7020



List of nozzles Mod 84

| List of nozzles | A | B | C | D | E | F | | | |
|-------------------------|--------|-------|---------------|---------|--------------|-------|-----------------|---------------------|-------------------|
| Needle | ∅ 3.5 | 3.5 | 5.0 | 5.0 | 6.5 | 6.5 | | | |
| | 8422AB | | 8422 + 8064CD | | 8422 + 8064E | | | | |
| Material nozzle | ∅ 2.0 | 3.0 | 3.5 | 4.0 | 5.0 | 6.2 | | | |
| | 8435A | 8435B | 8435C | 8435D | 8435E | 8435F | | | |
| Basic air nozzle | ∅ 4.5 | 4.5 | 5.5 | 5.5 | 7.8 | 7.8 | | | |
| | 8430AB | | 8430CD | | 8430EF | | slot width (mm) | spraying width (cm) | application |
| Stainless steel = 2032- | 2 - 2 | 2 - 2 | 2 - 2 | | | | 2.0 | 8 - 18 | standard |
| Carbide = 2033- | 9 - 9 | 9 - 9 | 9 - 9 | | | | 2.0 | 14 - 25 | standard |
| | | | 11 | | | | 3.0 | 10 - 16 | large output |
| | | | 12 - 12 | 12 - 12 | | | 2.5 | 8 - 18 | large output |
| | | | 3 - 3 | 3 - 3 | | | 2.0 | 10 - 16 | standard |
| | | | 4 - 4 | 4 - 4 | | | 2.0 | 14 - 25 | standard |
| | | | 5 - 5 | 5 - 5 | | | 2.0 | 22 - 40 | standard |
| | | | 6 - 6 | 6 - 6 | | | 2.5 | 10 - 16 | large output |
| | | | | 7 | | | 2.5 | 18 - 25 | large output |
| | | | | 8 | | | 2.0 | 15 - 25 | large output |
| | | | | | 20 - 20 | | 2.5 | 10 - 15 | large output |
| | | | | | 21 | | 2.5 | 15 - 23 | large output |
| | | | | | 22 | | 3.0 | 15 - 23 | very large output |
| | | | | | 23 | | 2.5 | 20 - 40 | large output |
| | | | | | 24 | | 2.5 | 50 | standard |
| | | | | | 25 - 25 | | 3.0 | 10 - 18 | very large output |
| | | | | | 27 | | 2.0 | 20 - 40 | large output |
| | | | | | 28 | | 3.0 | 20 - 40 | very large output |
| | | | | | | 40 | 3.0 | 10 - 16 | large output |
| | | | | | | 41 | 3.5 | 10 - 25 | very large output |
| | | | | | | 42 | 3.8 | 10 - 25 | very large output |
| | | | | | | 44 | 3.5 | 25 - 35 | very large output |

Example : Gun Mod 84 with set of nozzles C (needle 8422CD ∅5.0 - material nozzle 8435C ∅3.5 - basic air nozzle 8430CD ∅5.5) and external nozzle **2033-4** or 2032-4