


CE  II 2G c T6

Glass beads spray gun with atomizing air PH 84

This gun is equipped with a closing piston in hard chrome. It can be feed with glass beads by gravity or in pressurized tank.

Connections:

- drive air inlet 1/4"
- atomizing air inlet 3/8"
- Ø passage of beads 12 mm

Beads nozzle in stainless steel: Ø 2,5 to 10 mm

Atomizing air nozzle: Ø 0,8 to 2,5 mm

Diffuser: It's equipped with an adjustable diffuser (orientation and width) to perfectly distribute glass beads on the line to 30 cm in width. It has a piece of tungsten carbide to increase sharply its lifetime. This piece is easily replaceable when worn.

The diffuser can be optionally equipped with a glass beads sensor to avoid having a line without glass beads (on request). This sensor is associated with an electronic unit that manages the guns in action and alarms.

Without diffuser

Dimension: 230 x 90 mm
Weight: 1,7 kg

With diffuser

Dimension: 340 x 90 mm
Weight: 2,6 kg

Advice:

- Block the suction tube for feeding by pressurized tank
- for air using preferably a pipe with diameter of 8 mm
- using a drive air pressure of 6 bars (87 psi)

Kamber SA
Chemin des Champs Courbes 19
CH - 1024 Ecublens

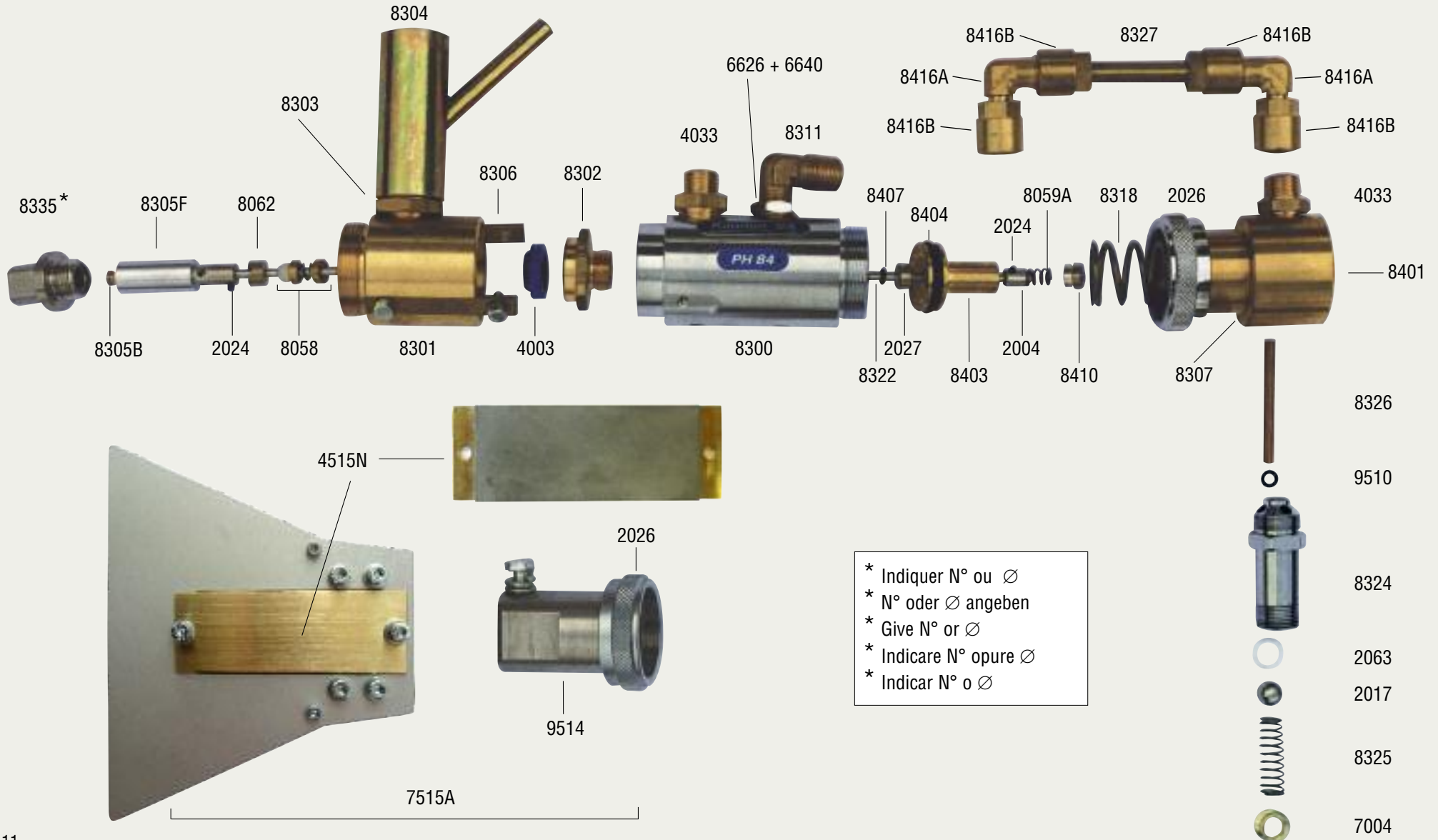
Tél. +41 (0)21 691 69 51
Fax +41 (0)21 691 69 54

e-mail: info@kambersa.ch

PH84

PISTOLET PNEUMATIQUE BILLES DE VERRE POUR LA SIGNALISATION ROUTIERE
 PNEUMATISCHE PERLENPISTOLE FÜR DIE STRASSENMARKIERUNG
 PNEUMATIC GLASS BEADS GUN FOR ROAD MARKING
 PISTOLA PNEUMATICA PER PERLINE PER LA SEGNALETICA STRADALE
 PISTOLA NEUMATICA PARA MICROESFERAS DE VIDRIO PARA LA SENALIZACION VIAL

Kamber S.A.



* Indiquer N° ou Ø
 * N° oder Ø angeben
 * Give N° or Ø
 * Indicare N° oppure Ø
 * Indicar N° o Ø